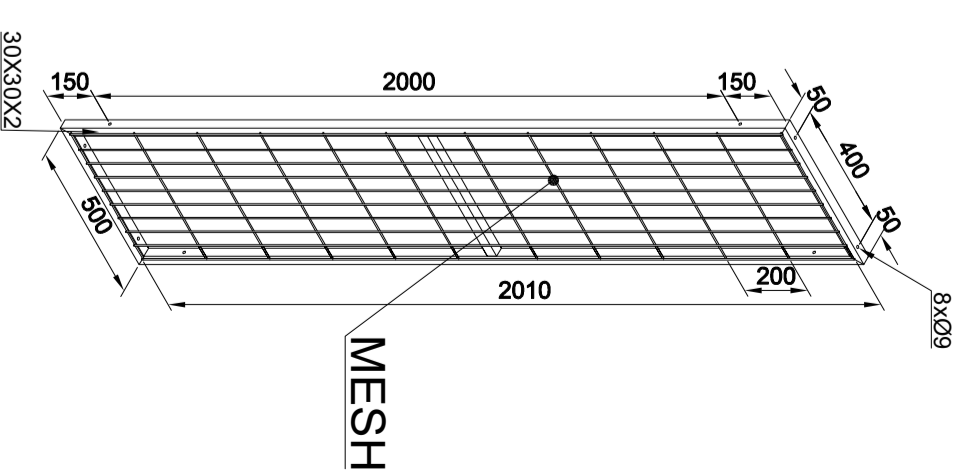
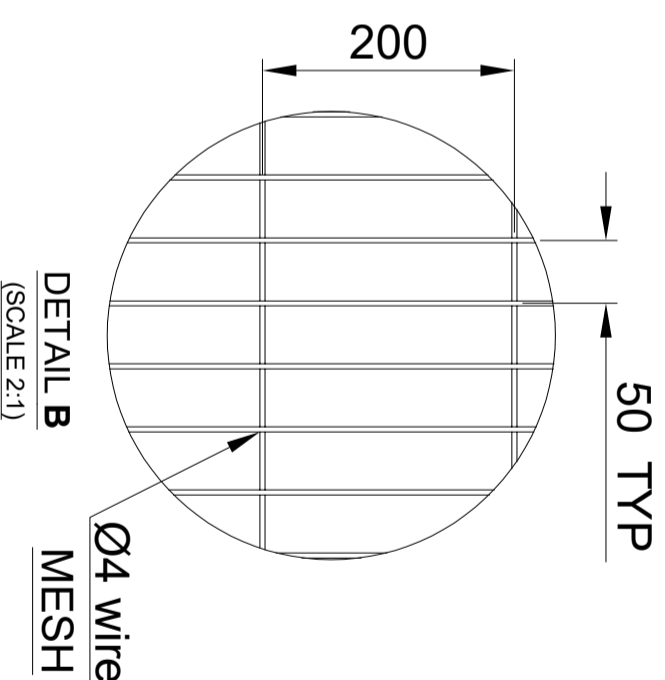
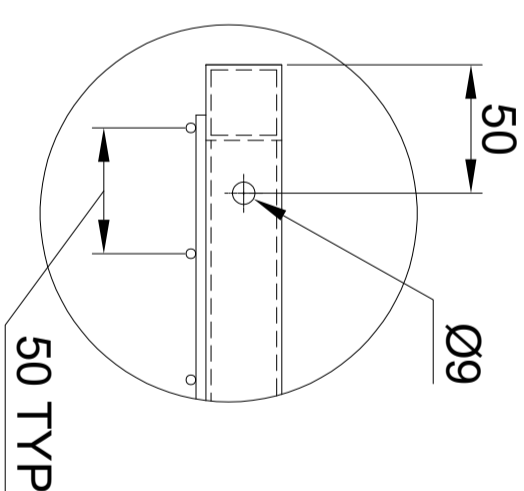
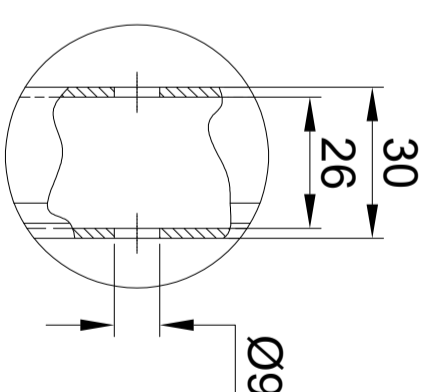
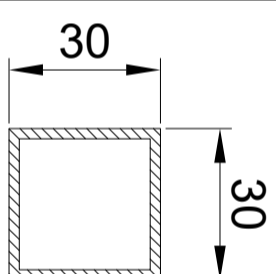
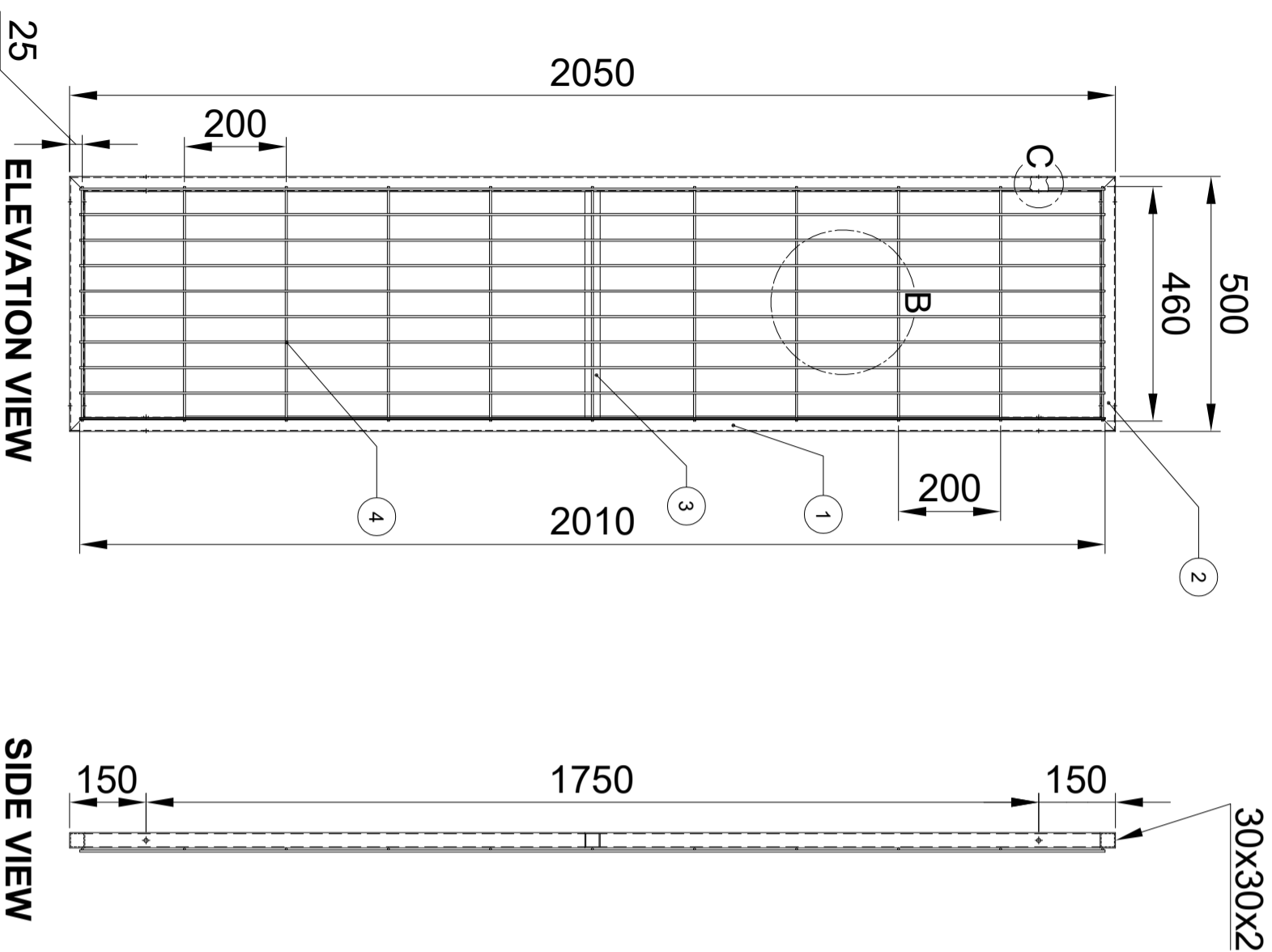


**NOTES :**

1. ALL DIMENSION ARE IN MILLIMETER UNLESS OTHERWISE NOTED.



**ISOMETRIC VIEW**

BOM PANEL FRAME (Qty = 1)						
NO	PAIR NAME	MATERIAL	FINISHING	PROFILE	L	QTY
1	SQUARE TUBE	CARBON STEEL	GAL/POWER COATING	30X30X2mm	2050	2
2	SQUARE TUBE	CARBON STEEL	GAL/POWER COATING	30X30X2mm	500	2
3	SQUARE TUBE	CARBON STEEL	GAL/POWER COATING	30X30X2mm	440	1
4	MESH PERAL	CARBON STEEL	GAL/POWER COATING	wire Ø4mm 50x200 cc	legh:2010 wright:460	



**HITECH**  
FENCE AND STEEL FACTORY

DESIGNED BY: MAAZ  
DRAWN BY: M.SAEED  
CHECKED BY: MAAZ  
APPROVED BY: MJI  
BUILDING 3824, STREET NIRA, 2ND INDUSTRIAL CITY,  
14338 RIYADH SAUDI ARABIA, +966 11 4748635

DRAWING TITLE: HI 30 MACHINE GUARDING PANEL  
PAPER SIZE: A3  
SHEET NO.: 01 / 01

DRAWING NO.: HIP352020550  
REV. NO.: A  
SCALE: 1:8  
DATE: 18-JAN-25